

**Overview**

The beroNet PCI / PCIe cards are full-fledged VoIP Gateway Media Gateways in the form factors PCI and PCI Express. They are modular and can be equipped with up to two modules. Digital ISDN (BRI / PRI), analog (FXS / FXO) and GSM modules are available for the beroNet Gateways. An optional PCM-Bus connection between two Gateways or beroNet card also ensures you real hardware bridging for transparent audio transmission of sensitive voice, video, data and Fax services. The beroNet PCI(e) cards are ideal for PBX manufacturers, Telephony Appliances, Fax appliances, Unified Communication Appliances, and hybrid systems.

**Advantages**

- » Interface for the card is SIP
- » Compatible with any PBX
- » Technology independent
- » Large interface variety: VoIP, GSM, ISDN and/or Analog
- » Tough, no moving parts
- » Hybrid: up to 2 Modules on one card
- » Via Cloud administrable
- » No drivers or API needed: System detects card as Realtek Network Card
- » Expandable with a supplementary beroNet VoIP Card

” The most important factor while developing the new Askozia Appliance was the uncompromising quality of all components. Only the beroNet PCI Cards could meet this high requirements.

Sebastian Kaiser, CEO of Askozia

**5 Good Reasons for beroNet PCI(e) Cards**

- 1 Driver Free Technology
- 2 Cloud Managed
- 3 Modular (ISDN/Analog/GSM)
- 4 5 Minute Installation
- 5 Easily expandable

**Variations**

PCI	PCIe	Technology
BF4002S02FXS	BF4002S02FXSe	2x ISDN BRI, 2x Analog (FXS)
BF4004S0	BF4004S0e	4x ISDN BRI
BF16001E1	BF16001E1e	1x ISDN PRI
BF4004FXO	BF4004FXOe	4x ANALOG (FXO)
BF4004FXS	BF4004FXSe	4x ANALOG (FXS)
BF4002GSM	BF4002GSMe	2x GSM

**Expandable with the following modules**

Modul	Technology
2S02FXS	2x ISDN BRI, 2x Analog (FXS)
4S0	4x ISDN BRI
1E1	1x ISDN PRI
2E1	2x ISDN PRI
4FXO	4x ANALOG (FXO)
4FXS	4x ANALOG (FXS)
8FXS	8x ANALOG (FXS)
2GSM	2x GSM

**Specifications**

- » Codecs: G.723.1 and Annex A, G.729 a/b, G.726 (up to 32 channels), G.711 u/a (up to 128 channels)
- » G.168/G.165 echo cancellation with echo path change detection, up to 128ms
- » Voice activity detection / comfort noise generation
- » DTMF digit detection and generation
- » T.38 Fax Relais (V.27, V.29 and V.17) (up to 16 channels)
- » SIP User Agent IETF RFC3261 conform
- » SIP via UDP/TCP with optional TLS support
- » TDM bridging over 2 berofix devices through PCM bus interconnection, 8.192 kB/s
- » PCI 2.2 conform 3,3V (Realtek 8139CL Chipsatz), 5V Slot compatible, min. 3,3V
- » PCI express 1.1 compliant (chipset Realtek 8111C)
- » Compliance: CE (EN55022, EN55024, EN60950)

**Dimensions and Weight**

- » Dimensions: 167 x 98,5 x 15mm
- » Weight: 110g
- » PCI/PCIe full profile

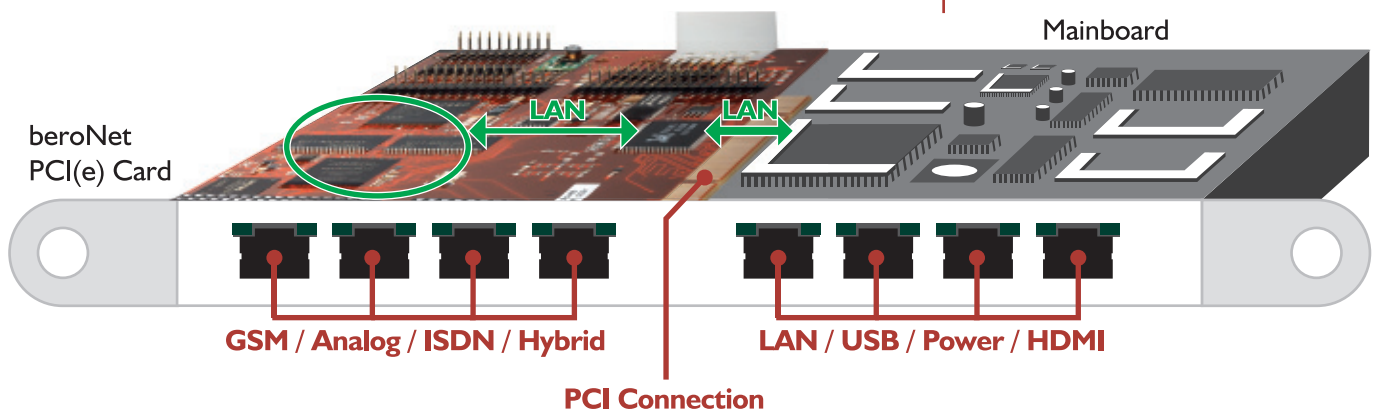
**Environment**

- » Storage temperature: -20° to 70°C
- » Operating temperature: 0° to 40°C
- » Humidity: up to 90%, non-condensing



Fast installation & administration via the easy to use Web interface of the beroNet GUI.

**Compatible with**



Cloud Managed



Compatible with any IPBX



Fast installation



Tough, no moving parts



SIP interface



Modular & Flexible



Energy efficient



Easy expandable